

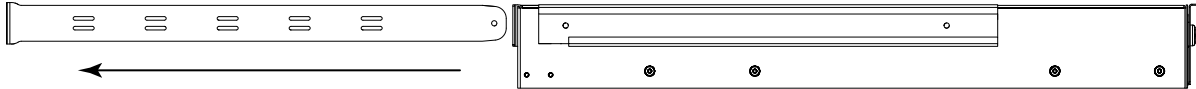
# D2-UMS-28

## UNIVERSAL MOUNTING DRAWER

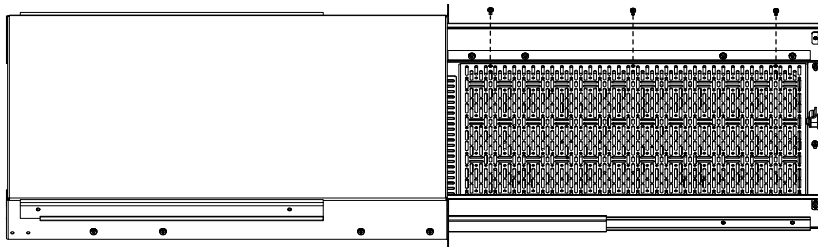
### POPULATING THE DRAWER

**NOTES:** Weight Rating is 45 lbs.  
Rail to rail: (27.5" min/42.5" max)  
Replacement key part number: SRD-KEY

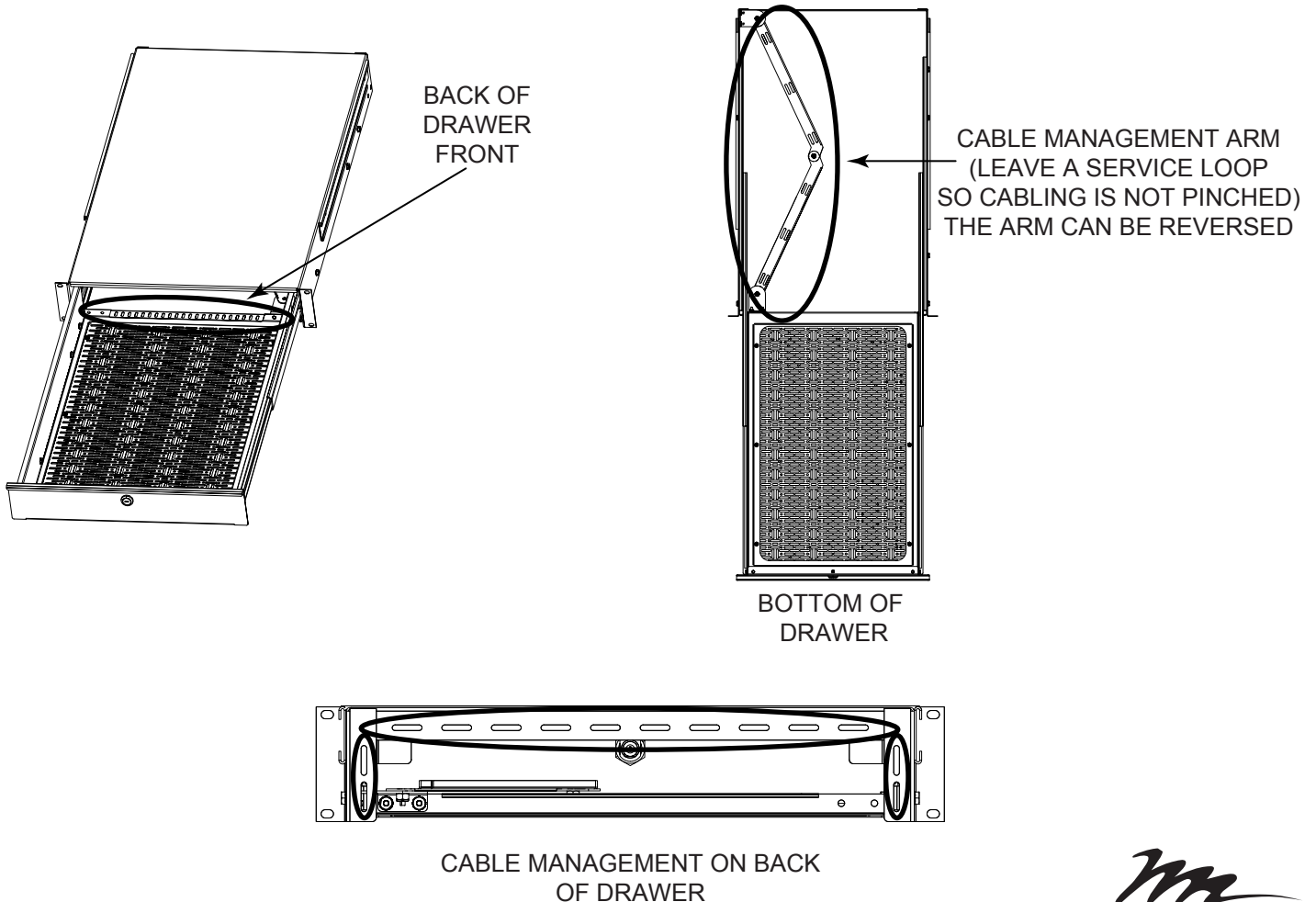
1) Remove rear support ears from the drawer.



2) Populate the removable mounting panel. The panel can be removed by taking out the (6) #2 Phillips screws. (3) per side.



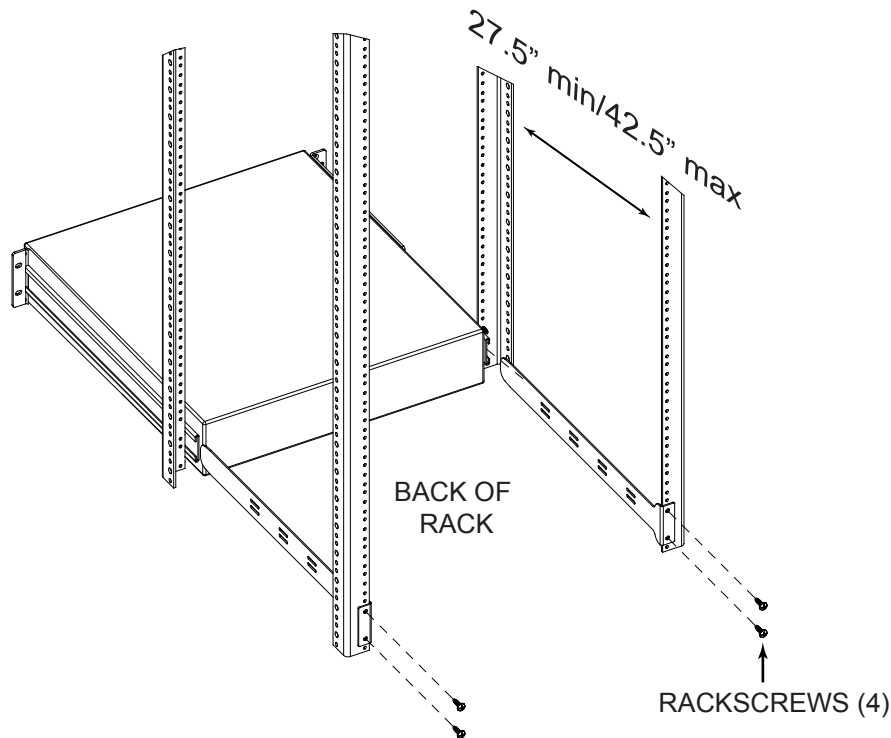
### CABLE MANAGEMENT LOCATIONS



## INSTALLATION

3) Install rear support ears to the rack. Slide the drawer onto the rear support ears, and screw the front ears to the front rackrail.

**NOTE:** The rear mounting ears insert into the top space of the drawer.



### WARRANTY

Middle Atlantic Products (the "Company") warrants the D2-UMS-28 to be free from defects in material or workmanship under normal use and conditions for a period of (3) years from the date of shipment by the company.

The Company's entire liability to the purchaser, and the purchaser's (or any other party's) sole and exclusive remedy, under this warranty shall be limited, at the Company's option, to either (a) return of and refund of the price paid for, or (b) repair or replacement at the Company's factory of the products purchased, or any part or parts thereof, which the Company has determined to be defective after inspection thereof at the Company's factory.

This warranty does not cover damage due to acts of God, accident, misuse, abuse or negligence by parties other than the Company, or any modification or alteration of the products. In addition, this warranty does not cover damage due to improper handling, assembly, installation or maintenance.

THIS WARRANTY IS IN LIEU OF ALL OTHER WARRANTIES OF ANY KIND, EITHER EXPRESSED OR IMPLIED, INCLUDING, BUT NOT LIMITED TO, IMPLIED WARRANTIES OF MERCHANTABILITY AND FITNESS FOR A PARTICULAR PURPOSE.

TO THE MAXIMUM EXTENT PERMITTED BY APPLICABLE LAW, IN NO EVENT SHALL THE COMPANY BE LIABLE FOR ANY SPECIAL, INCIDENTAL, INDIRECT, OR CONSEQUENTIAL DAMAGES WHATSOEVER (INCLUDING, WITHOUT LIMITATION, DAMAGES FOR LOSS OF BUSINESS PROFITS, BUSINESS INTERRUPTION OR ANY OTHER PECUNIARY LOSS) ARISING OUT OF THE USE OF THE PRODUCTS PURCHASED, EVEN IF THE COMPANY HAS BEEN ADVISED OF THE POSSIBILITY OF SUCH DAMAGES. THE COMPANY'S LIABILITY TO THE PURCHASER (OR ANY OTHER PARTY) HEREUNDER, IF ANY, SHALL IN NO EVENT EXCEED THE PURCHASE PRICE OF THE PRODUCTS PAID TO THE COMPANY.

### Corporate Headquarters

Corporate Voice 973-839-1011 - Fax 973-839-1976  
International Voice +1 973-839-8821 - Fax +1 973-839-4982  
middleatlantic.com - info@middleatlantic.com

### Middle Atlantic Canada

Voice 613-836-2501 - Fax 613-836-2690  
middleatlantic.ca - customerservicecanada@middleatlantic.ca

### Factory Distribution

USA: NJ - CA - IL Canada: ON - BC